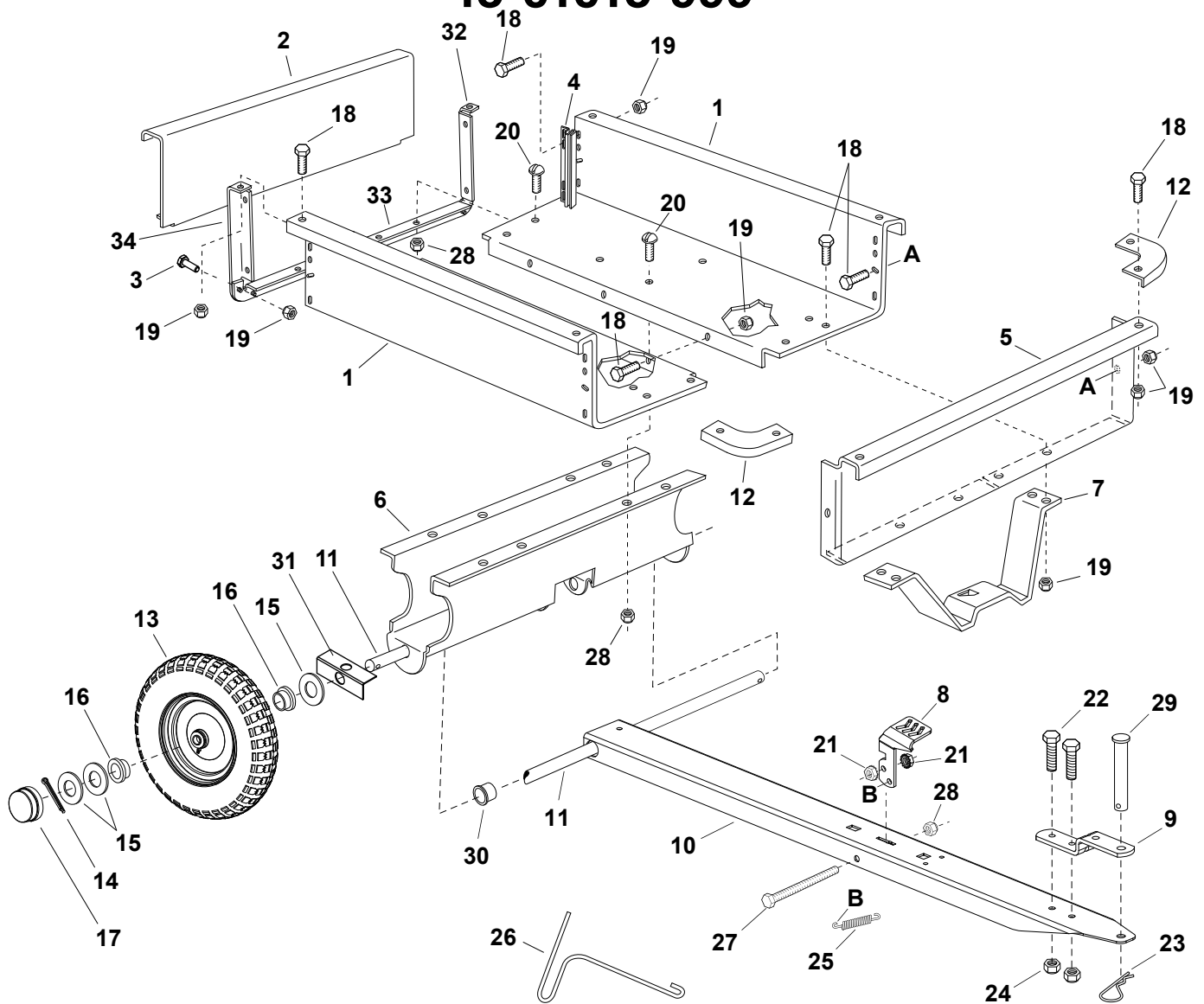


45-01015-999



REF NO.	PART NO.	DESCRIPTION	QTY	REF NO.	PART NO.	DESCRIPTION	QTY
1	23985BL3	Cart Body	2	19	47189	1/4-20 Nylock Nut	31
2	23502BL3	Tailgate	1	20	43814	5/16-18 x 3/4" Truss Hd Bolt	12
3	43012	Bolt, Hex 1/4-20 X 3/4	4	21	46980	5/16-18 Hex Nut (SEMS)	2
4	23548	Tailgate Guide	2	22	43001	3/8-16 x 1" Hex Bolt	2
5	23492BL3	Front Panel	1	23	43343	1/8" Hair Cotter pin	1
6	25996BL3	Wheel Support	1	24	HA21362	3/8-16 Nylock Nut	2
7	24497BL1	Latch Stand Bracket	1	25	47408	Extension Spring	1
8	28258BL3	Foot Pedal Latch	1	26	47622	Spring Puller Tool	1
9	23687BL1	Hitch Bracket	1	27	47407	5/16-18 x 4" Hex Bolt	1
10	27716BL3	Draw Bar Tongue	1	28	47810	5/16-18 Nylock Nut	15
11	24896	Axle, Wheel 3/4" Dia	1	29	HA23638	Clevis Pin	1
12	23484BL3	Front Corner Cap	2	30	44798	Flanged Bearing	2
13	43008G	Wheel 16/4.00 x 8.00	2	31	25910	Axle Keeper	2
14	43010	1/8" dia x 1" Cotter Pin	2	32	24143BL1	Angle, LH Rear	1
15	43009	3/4" Flat Washer	6	33	24142BL1	Angle, Lower Rear	1
16	43631	Wheel Bearing	4	34	24144BL1	Angle, RH Rear	1
17	43014	Hub Cap	2		45952	Owners Manual	1
18	43866	1/4-20 x 5/8" Hex Bolt	25				